



Type:

Model:



SKU: 917015 | 917015-SPRING

DIJON

Brass MR16 Uplight Fixture

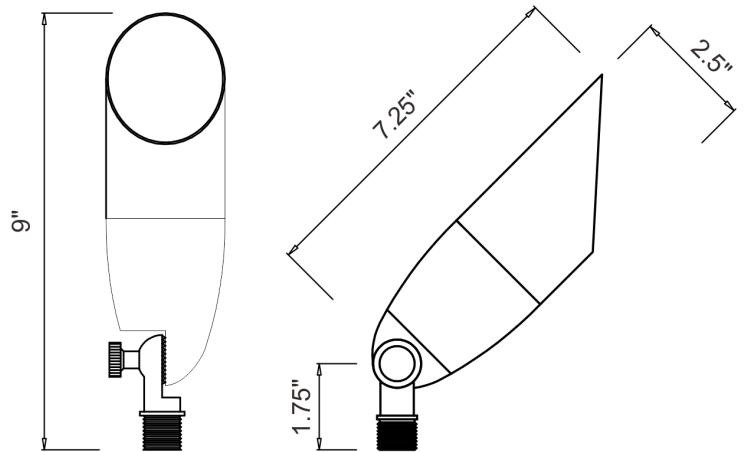
- 12V AC/DC
- Cast brass housing with Antique Bronze finish
- Lock-and-load shroud with double O-rings
- Clear convex lens
- Specification grade, beryllium copper socket
- Anti-Moisture Connections
- Fixed Socket or spring loaded options
- Powder-coated color options available
- 60" 18AWG wire lead
- IP65 and ETL rated
- Lifetime warranty

DESCRIPTION

The Dijon comes with a long glare guard, it offers style and function without compromise. Its sleek straight lines, lock-and-load shroud feature make it an essential fixture when lighting queen palms, trees, columns, or any other tall structure .

Custom powder-coated color options available.

DIMENSIONS



IP65