

Type:

Model:



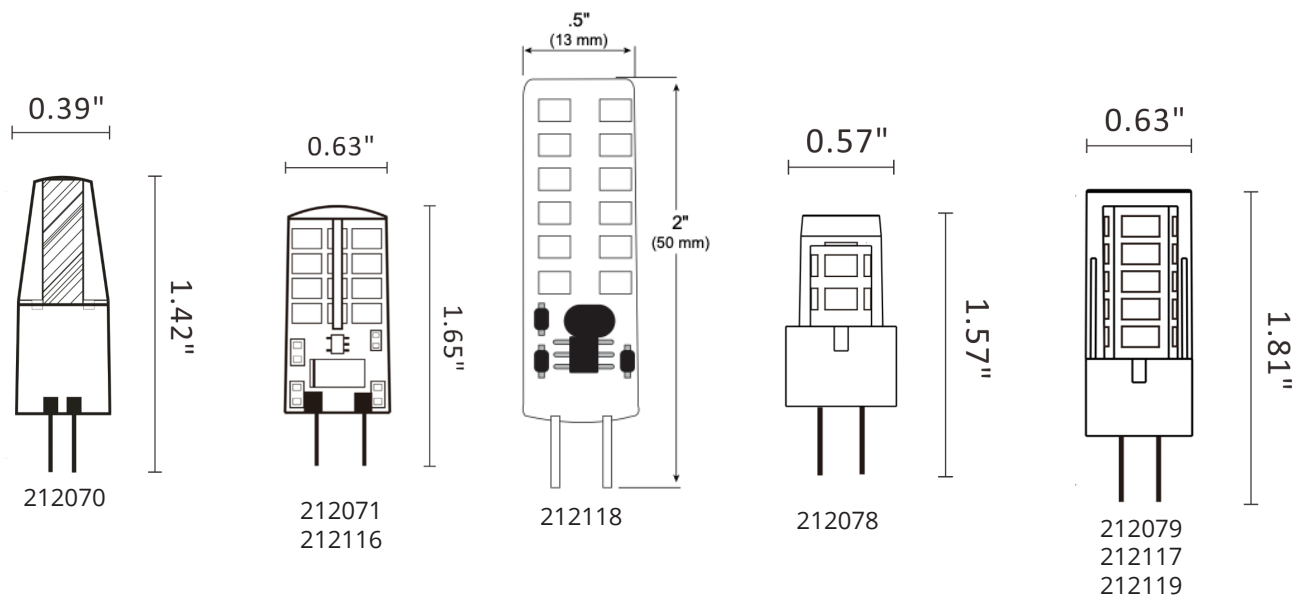
## BI-PINS Encapsulated LED Lamps

- 9-17V
- G4 or GY.6.35 base
- Dimmable with most magnetic transformers
- Fully potted PC board
- CRI 85+
- IP65 rated
- ELT & FCC compliant



**IP65**

### DIMENSIONS





| Product #    | Description                   | Wattage | Color Temp. | Lumens | Base    |
|--------------|-------------------------------|---------|-------------|--------|---------|
| 212070-2700K | Silicone Covered BiPin        | 2W      | 2700K       | 180 lm | G4      |
| 212070-3000K | Silicone Covered BiPin        | 2W      | 3000K       | 180 lm | G4      |
| 212071-2700K | Silicone Covered BiPin        | 3W      | 2700K       | 270 lm | G4      |
| 212071-3000K | Silicone Covered BiPin        | 3W      | 3000K       | 270 lm | G4      |
| 212116-2700K | Silicone Covered BiPin        | 4W      | 2700K       | 360 lm | G4      |
| 212116-3000K | Silicone Covered BiPin        | 4W      | 3000K       | 360 lm | G4      |
| 212118-2700K | Silicone Covered BiPin        | 4W      | 2700K       | 360 lm | GY.6.35 |
| 212118-3000K | Silicone Covered BiPin        | 4W      | 3000K       | 360 lm | GY.6.35 |
| 212078-2700K | Ceramic Base w/ Plastic Cover | 2W      | 2700K       | 180 lm | G4      |
| 212078-3000K | Ceramic Base w/ Plastic Cover | 2W      | 3000K       | 180 lm | G4      |
| 212079-2700K | Ceramic Base w/ Plastic Cover | 3W      | 2700K       | 270 lm | G4      |
| 212079-3000K | Ceramic Base w/ Plastic Cover | 3W      | 3000K       | 270 lm | G4      |
| 212117-2700K | Ceramic Base w/ Plastic Cover | 4W      | 2700K       | 400 lm | G4      |
| 212117-3000K | Ceramic Base w/ Plastic Cover | 4W      | 3000K       | 400 lm | G4      |
| 212119-2700K | Ceramic Base w/ Plastic Cover | 5W      | 2700K       | 550 lm | GY.6.35 |
| 212119-3000K | Ceramic Base w/ Plastic Cover | 5W      | 3000K       | 550 lm | GY.6.35 |