



Type:

Model:



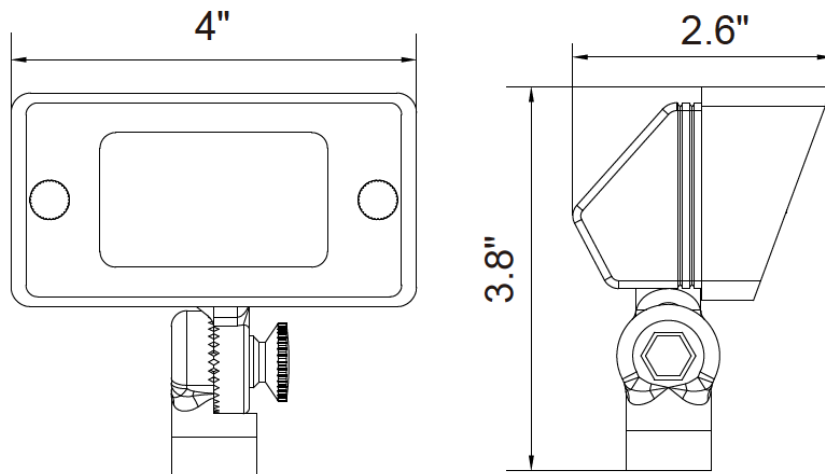
LISBON

Brass Integrated Wall Washer

- 10-15V
- 2-7W adjustable
- Cast brass housing with Antique Bronze finish
- Anti-Moisture Connections
- 60" 18AWG wire lead
- IP65 and ETL rated
- 7 year warranty

Product #	Color Temp.	Lumens	Wattage	Beam Spread	CRI
917048	27K 3K	160-560 lm	2-7W	150°	85

DIMENSIONS



IP65