



Type:

Model:



# VENICE

## Integrated Alum. Flood Lights

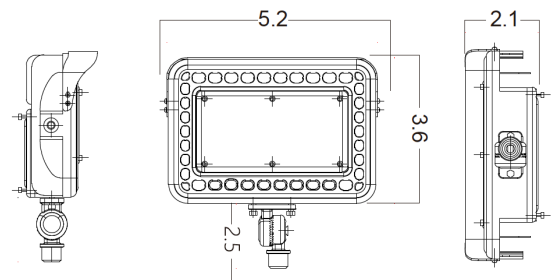
- 12V AC/DC
- CCT
- Cast aluminum & PC construction
- Bronze powder-coated finish
- Clear lens
- Anti-Moisture Connections
- 60" 18AWG wire lead
- IP65 and ETL rated
- 7 year warranty

### DESCRIPTION

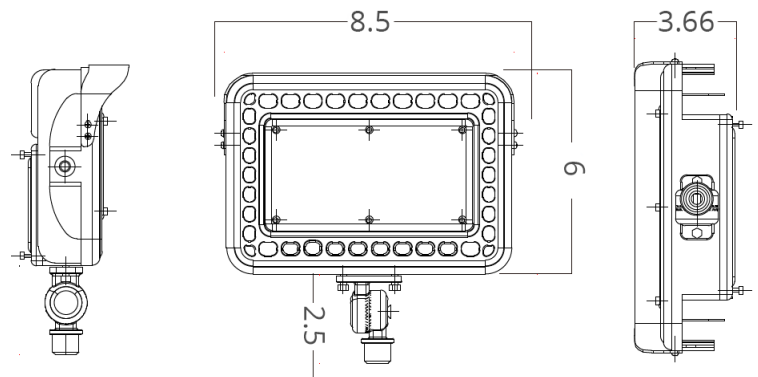
This integrated mini Flood light provides a multi-use design esthetic CCT 2700, 3000, 4000 and 5000 Kelvin. Available in 7W, 12W, 20W and 40W. This mini flood is great for general purpose lighting such as entry signs, wall washing and more. The aluminum housing powder coated in light bronze gives the same design feel as the brass series of lights. This allows you to mix & match with your design.

### DIMENSIONS

#### 7W/12W/20W



#### 40W



**IP65**



# SPECIFICATION SHEET

Type:

Model:

Product #	Wattage	Color Temp.	Lumens	CRI
917072	7W	27K 3K 4K 5K	650 lm	85
917075	12W	27K 3K 4K 5K	1000 lm	85
917078	20W	27K 3K 4K 5K	1700 lm	85
917081	40W	27K 3K 4K 5K	3600 lm	85